



HANSA

Installation and maintenance guide



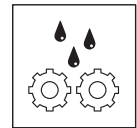
4-5



6-10



11



12-16

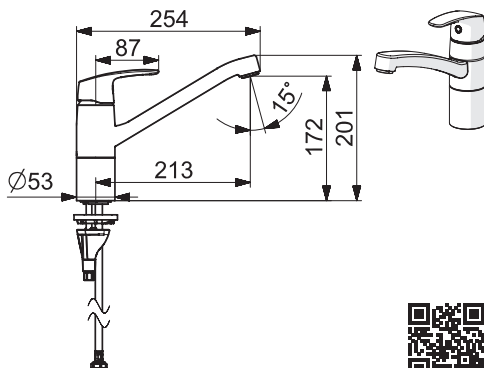
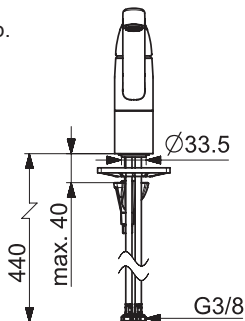


17



4508 2293

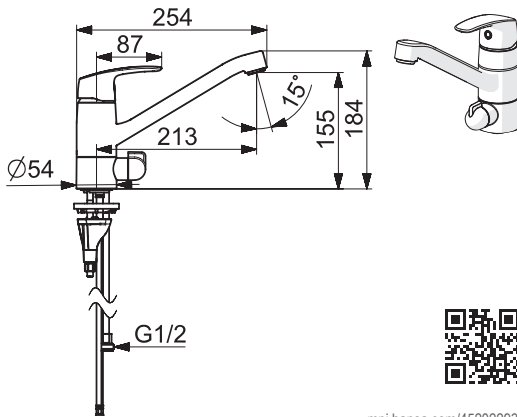
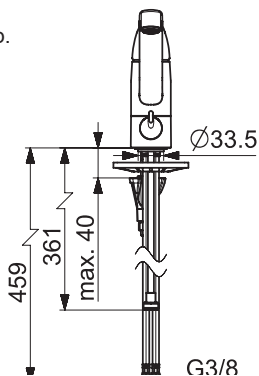
I (ISO 3822) Oras lab.
EN 817
50 - 1000 kPa
0.20 l/s (300 kPa)
max. +70°C



mpi.hansa.com/45082293

4520 2293

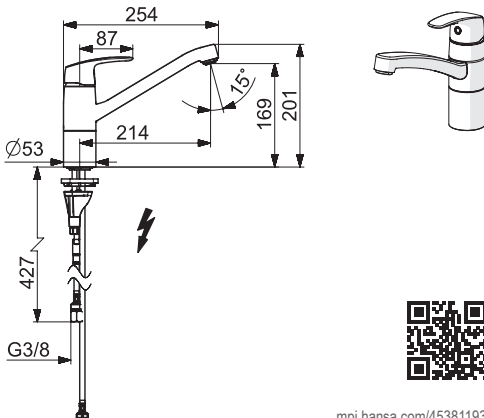
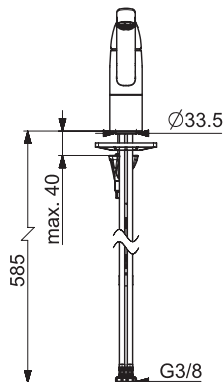
I (ISO 3822) Oras lab.
EN 817
50 - 1000 kPa
0.20 l/s (300 kPa)
max. +70°C



mpi.hansa.com/45202293

4538 1193

I (ISO 3822) Oras lab.
EN 817
50 - 500 kPa
0.1 l/s (300 kPa)
max. +70°C

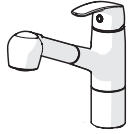
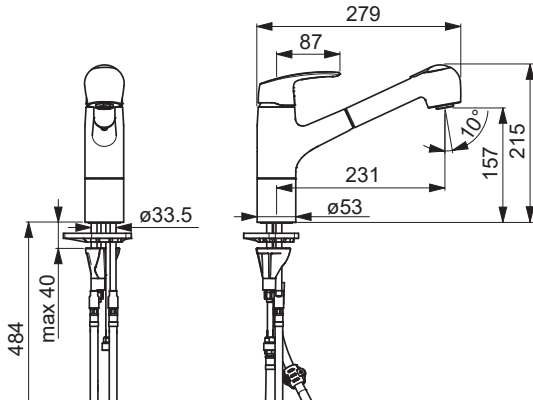


mpi.hansa.com/45381193



4518 2283

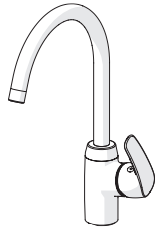
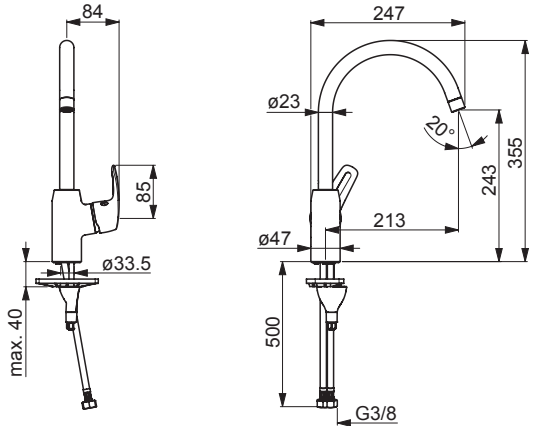
I (ISO 3822) Oras lab.
 EN 817
 50 - 1000 kPa
 0.16 l/s (300 kPa)
 max. +70°C



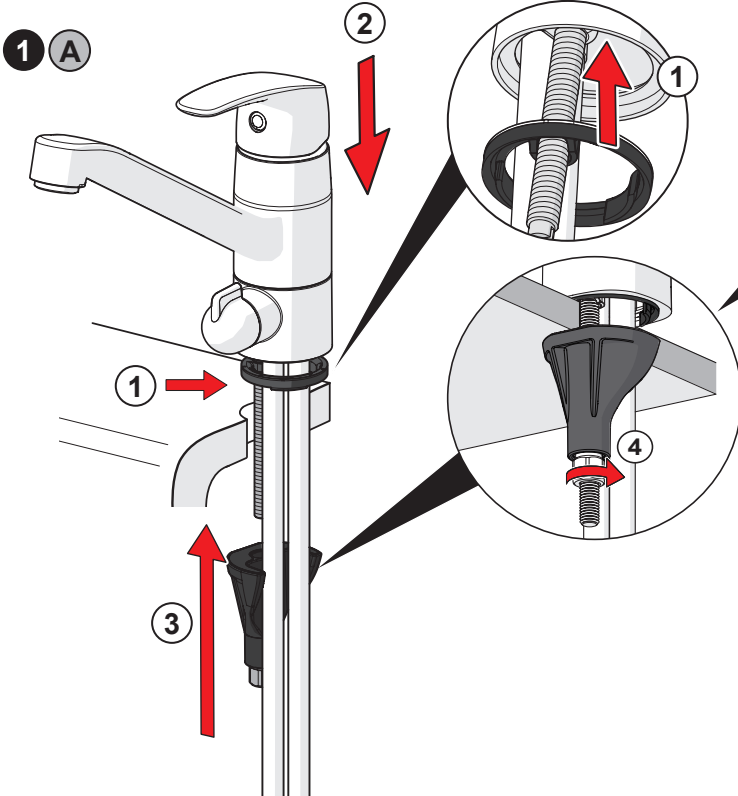
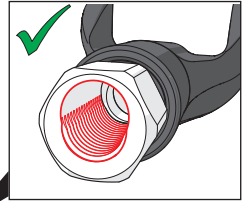
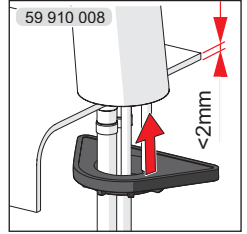
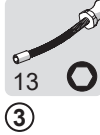
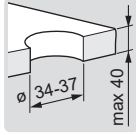
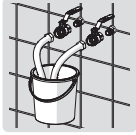
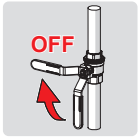
mpi.hansa.com/45182283

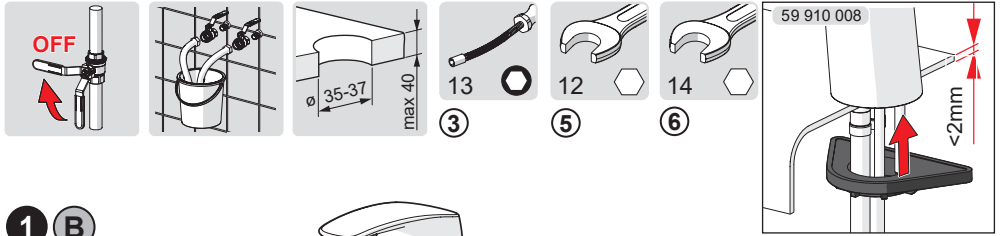
4513 2283

I (ISO 3822) Oras lab.
 EN 817
 50 - 1000 kPa
 0.21 l/s (300 kPa)
 max. +70°C

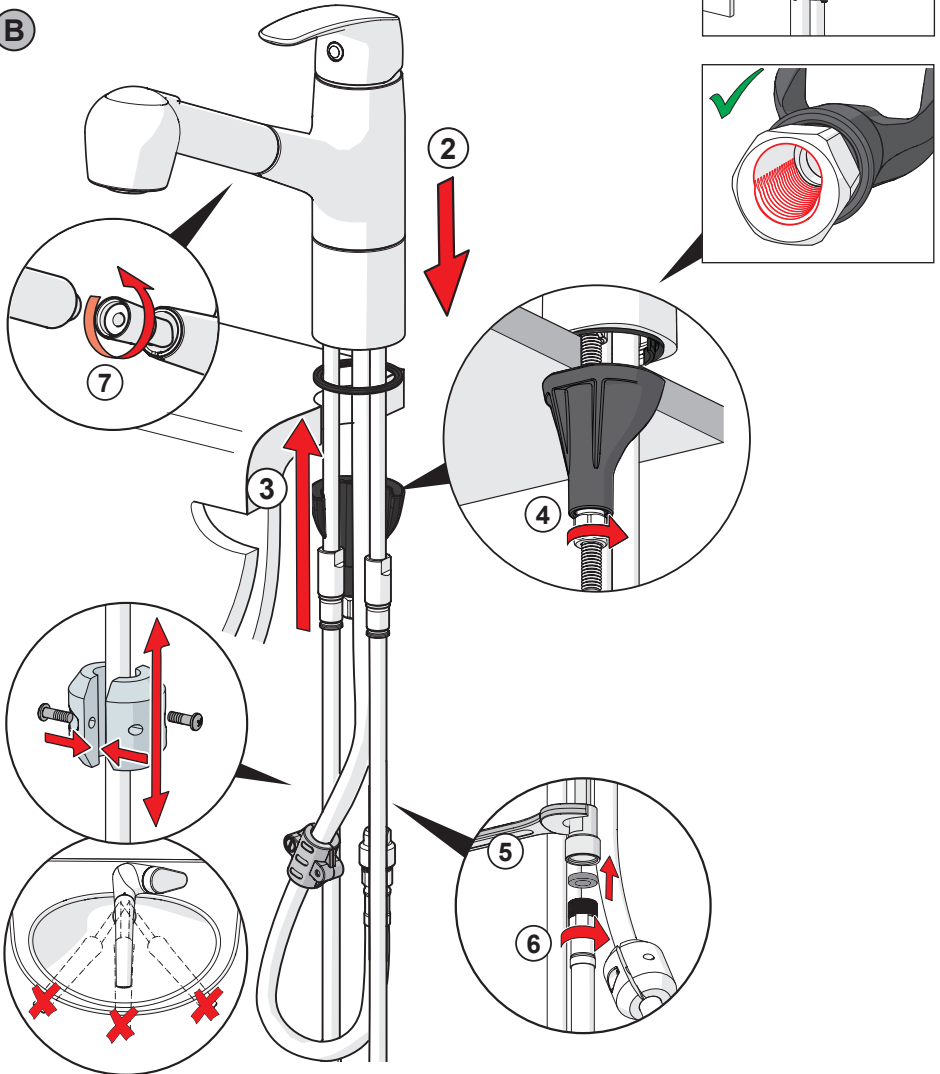


mpi.hansa.com/45132283





1 B

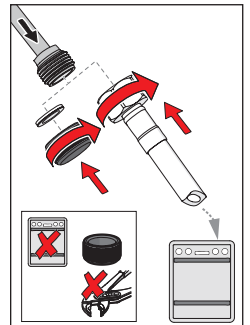
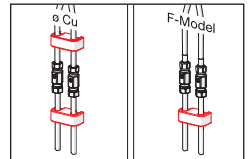
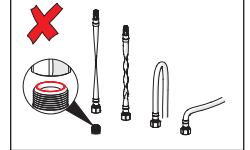
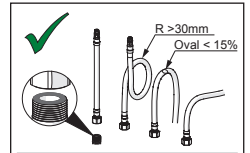
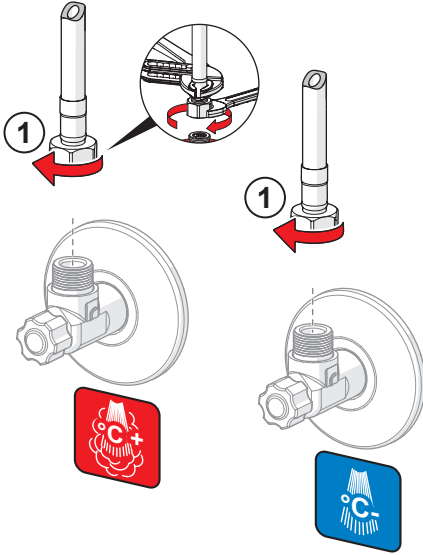


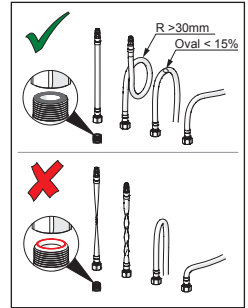
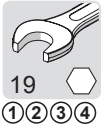


①

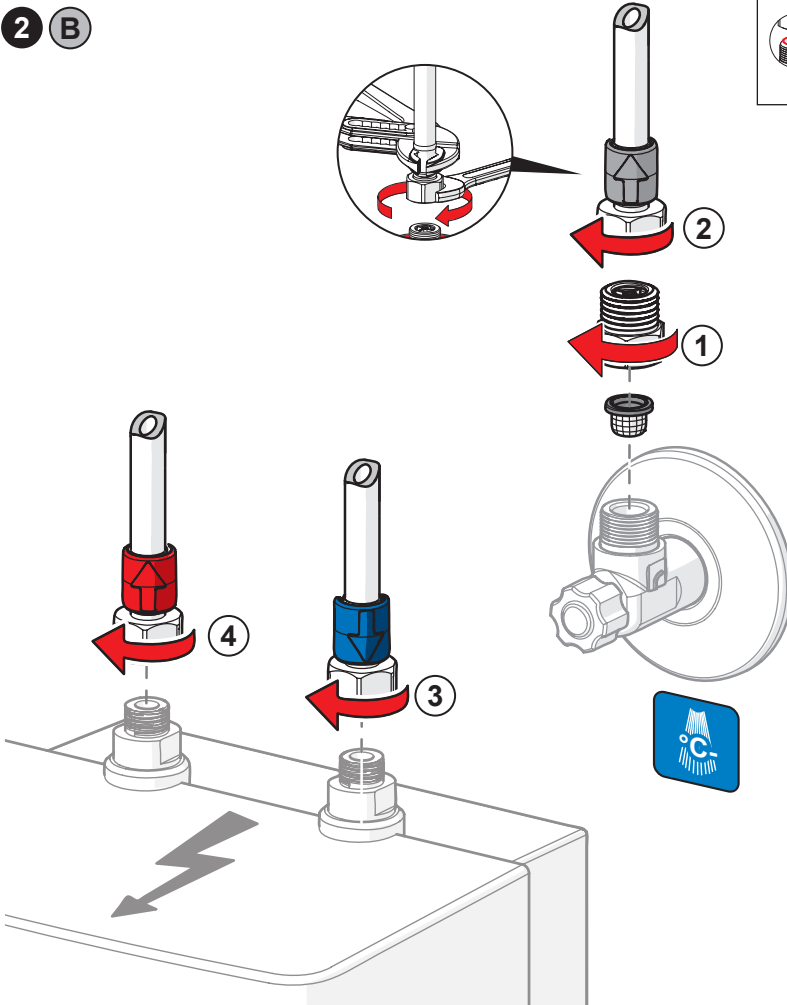
max.
1600 kPa

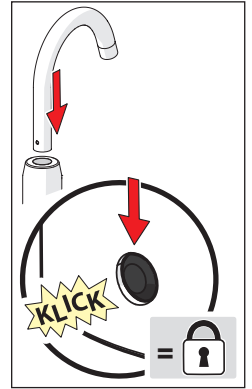
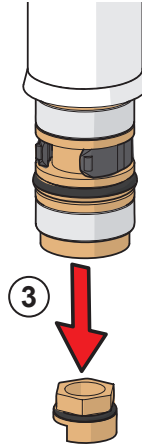
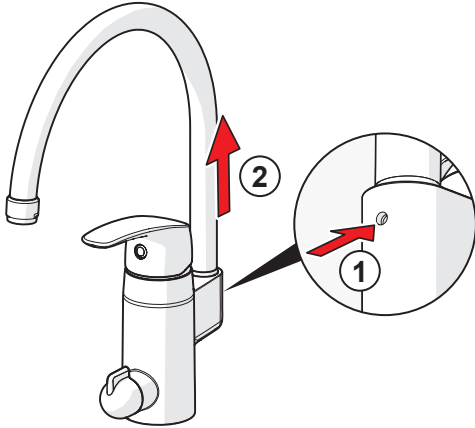
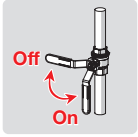
② A



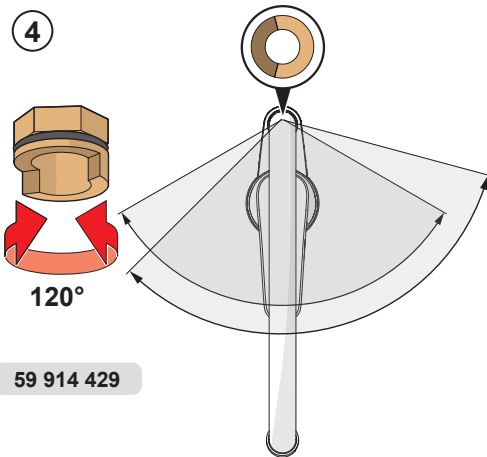


2 **B**



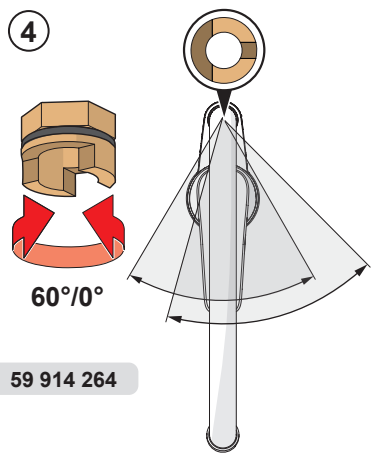


4

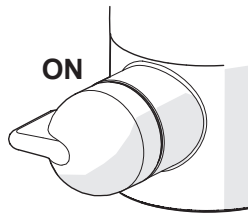
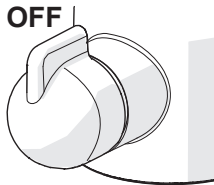
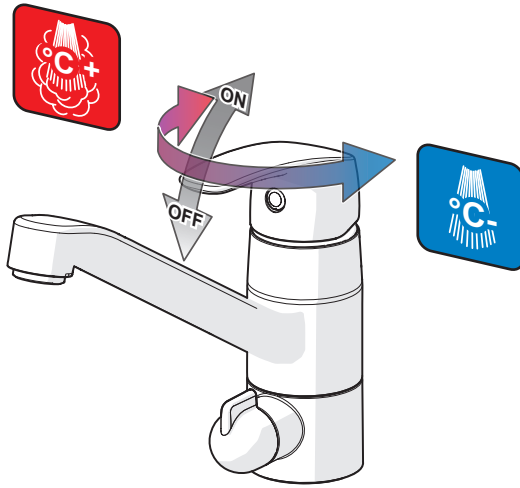


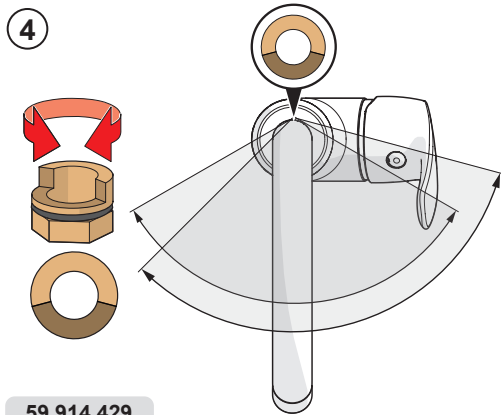
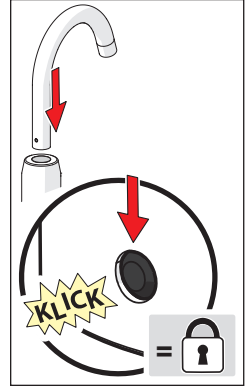
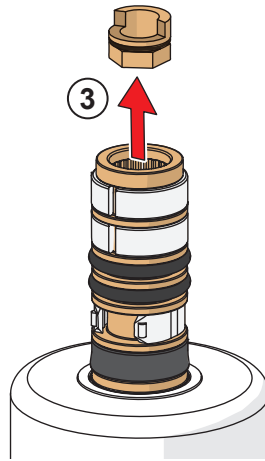
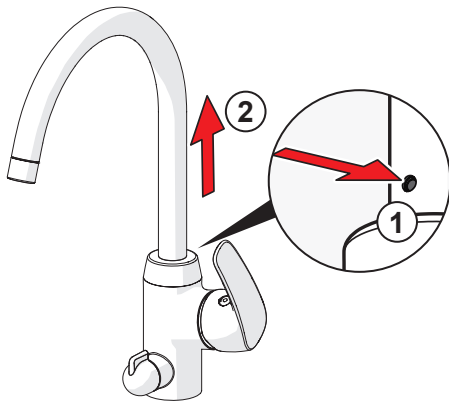
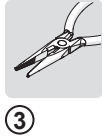
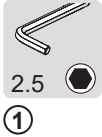
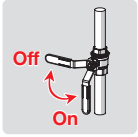
59 914 429

4

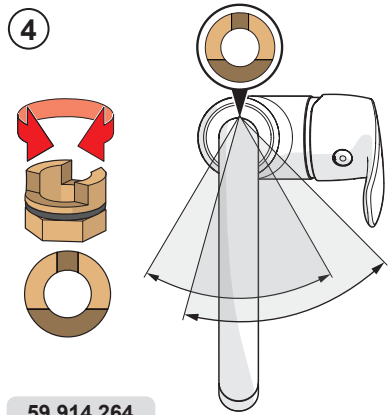


59 914 264

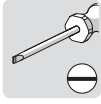
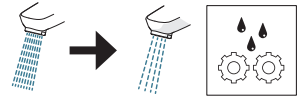




59 914 429

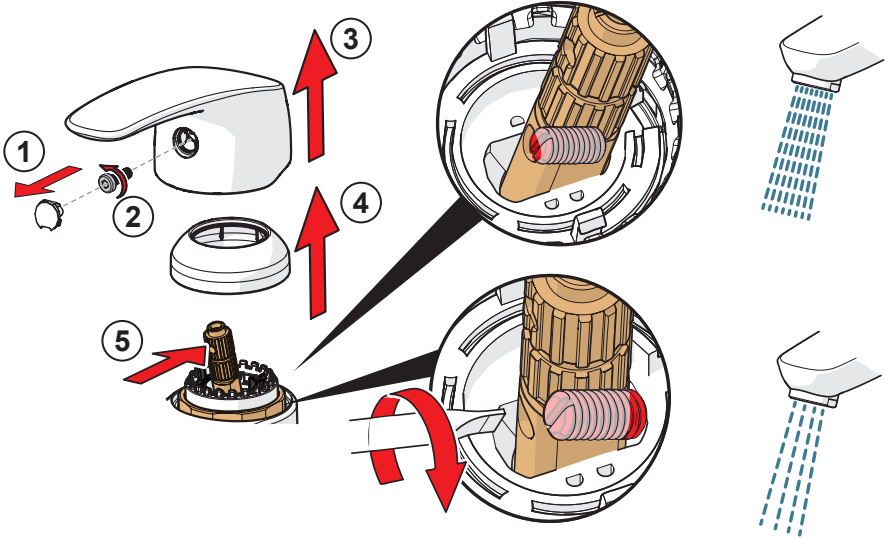


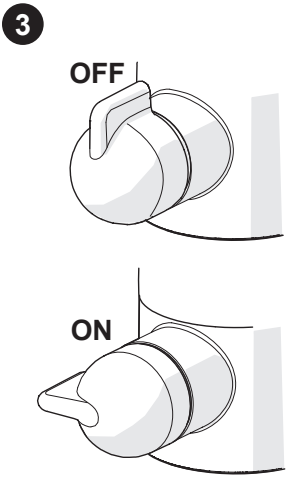
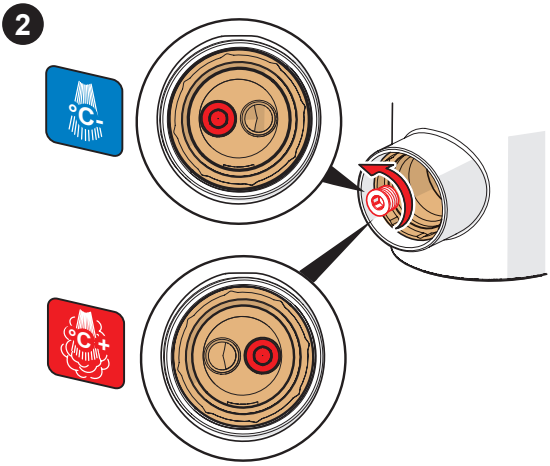
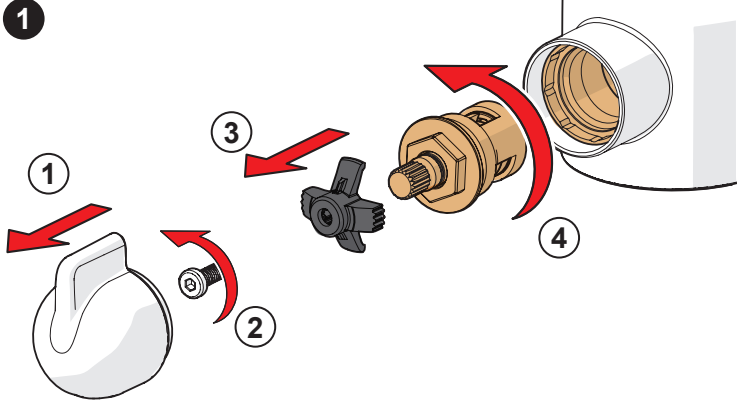
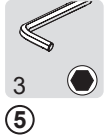
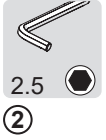
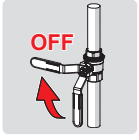
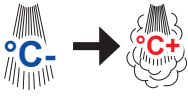
59 914 264

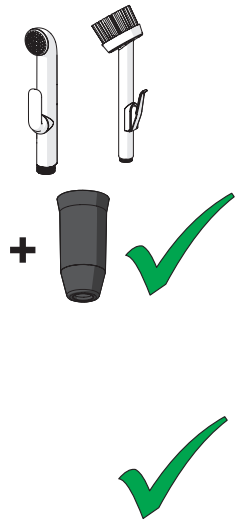
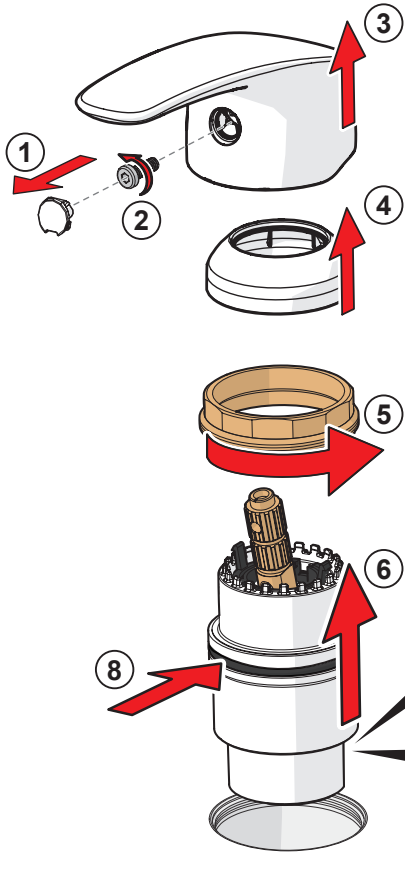
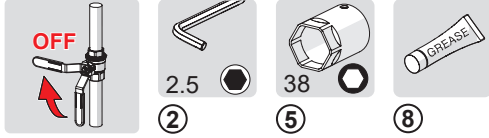


②

⑤









A1



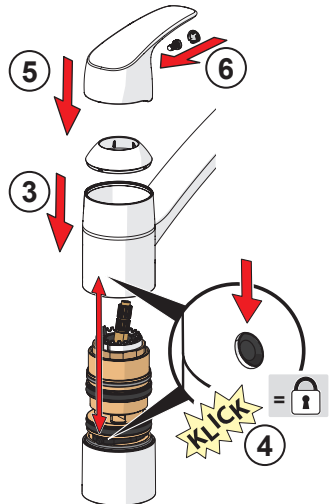
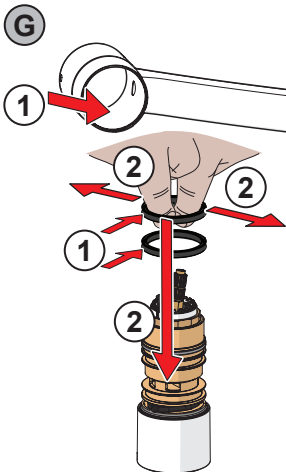
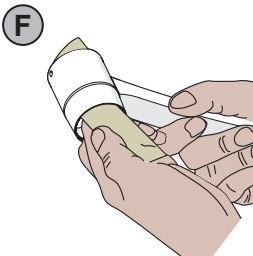
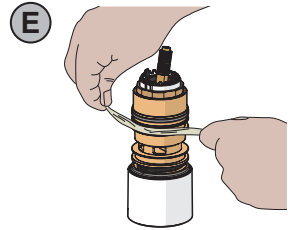
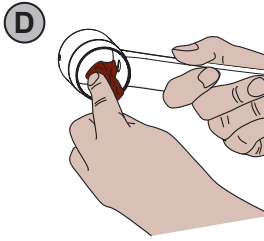
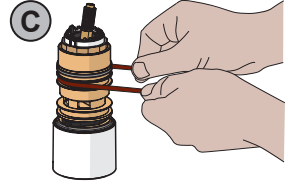
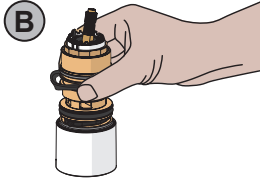
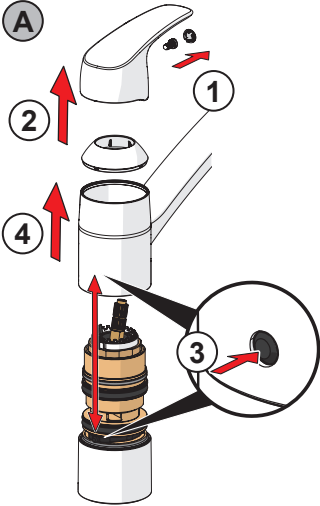
G1

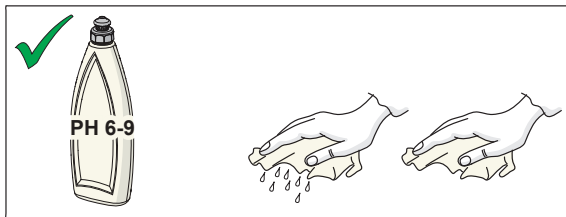
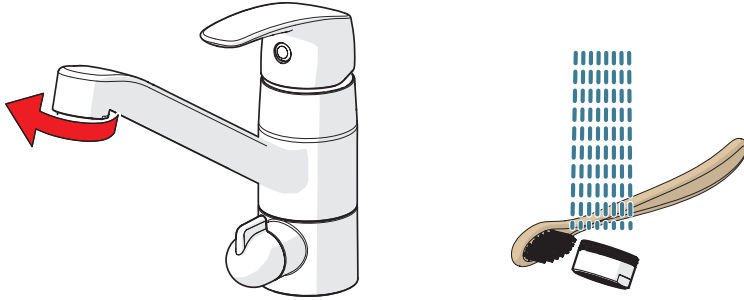


G2



G6





cleaning.hansa.com

About Oras Group

Oras Group is a significant European provider of sanitary fittings: the market leader in the Nordics and a leading company in Continental Europe.

The company's mission is to create the smartest water experiences for everyone and its vision is to become the Perfect Flow Company.

The Group has two strong brands, Oras and Hansa. Oras Group is owned by Oras Invest, a family company, and an industrial owner.

The domicile of Oras Ltd, the parent company of the Group, is located in Rauma, Finland, and the Group has three manufacturing sites: Kralovice (Czech Republic), Olesno (Poland) and Rauma (Finland).

The Group operates with its own staff in 17 markets. Oras Group's net sales were 233.5 million euros in 2021 and at the end of the period the company employed 1255 people.

HANSA Armaturen GmbH
P. O. BOX 81 02 40
D-70519 Stuttgart
Sigmaringer Strasse 107
D-70567 Stuttgart
Tel.: +49 711 16 14 0
Fax: +49 711 16 14 368
info@hansa.de
www.hansa.com

